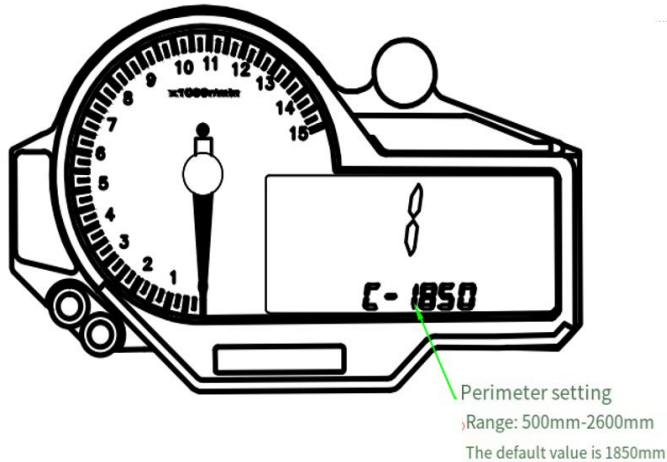


Technical requirement

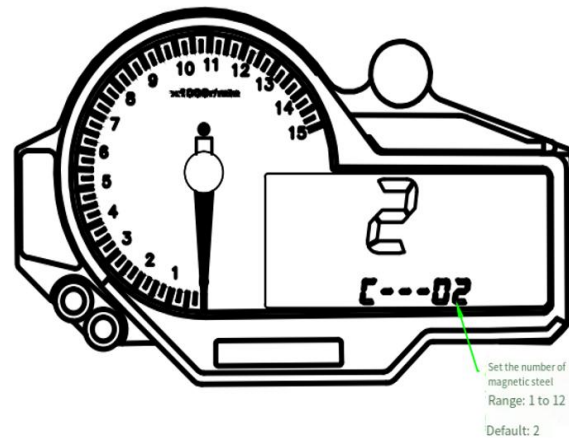
1. The nominal voltage of the combined instrument is DC12V.
2. Left turn light: The light is green and the control mode is 12V positive control.
3. High beam: The light is blue and the control mode is 12V positive control.
4. Neutral light: the light is green and the control mode is negative.
5. Engine failure light: light yellow. The control mode is negative control.
6. Right turn light: The light is green, and the control mode is 12V positive control.
7. Fuel gauge: liquid crystal display, connected with water temperature sensor, water temperature symbol long display, do not connect to do not display. The fuel shows 0 pieces at 98 ohm point E and 5 pieces at 8 Ohm point F.

8. Tachometer: liquid crystal display, when the frequency is 166Hz, the speed block is calibrated to 10X1000r/min, the maximum display is 15X1000r/min.
9. Speed indicator: LCD display, when the frequency is 18Hz, the LCD display 63km/h, the maximum display 199km/h.
10. Cumulative: Display total mileage (ODO) and single mileage (TRIP) respectively, which can be switched by buttons.
11. Water temperature meter: liquid crystal display, connected with water temperature sensor, water temperature symbol long display, do not connect to do not display.557-ω to 60 ° C, 196-ω to 90 ° C, 136-ω to 100 ° C, 80-ω to 120 ° C, and 48-ω to 140 ° C. When the temperature is higher than 120 ° C, the number and unit symbol blink.
12. Key function: Short press the up key, total mileage, single mileage switch; In the single mileage state, long press the up key for three seconds to clear the single mileage; Press and hold the up button for three seconds to switch to the imperial system in the total mileage state.
13. Gear position: LCD display, display 1-2-3-4-5-6, control mode is negative control.
14. Clock adjustment :12 hour system, cold boot AM10:00, hold down the key for 3 seconds to enter the clock setting, the hour flashes, the second does not blink, press the up key to add 1, press the down key to switch to the minute second flashes, the second does not blink, and then press the key to save and exit or 10 seconds no operation automatically save and exit or switch off to save and exit.
15. LCD backlight, white.
16. Oil alarm power: under the alarm state of the oil lamp (alarm once every 1000 kilometers), switch to the total mileage interface, long press the upper key for 10 seconds, and the alarm state of the oil lamp is cancelled.

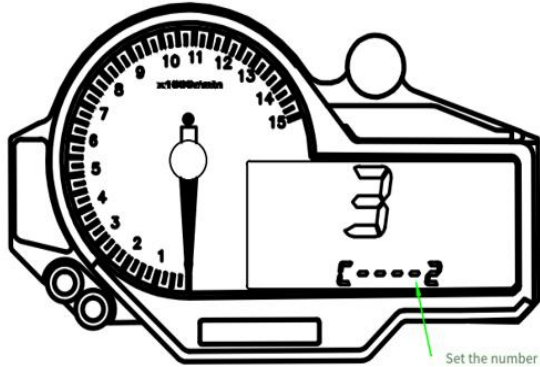
Interface 1



Interface 2

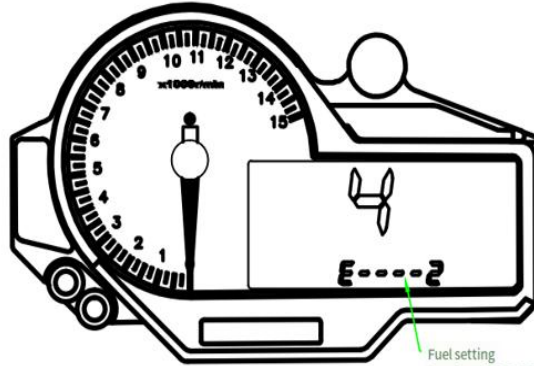


Interface 3



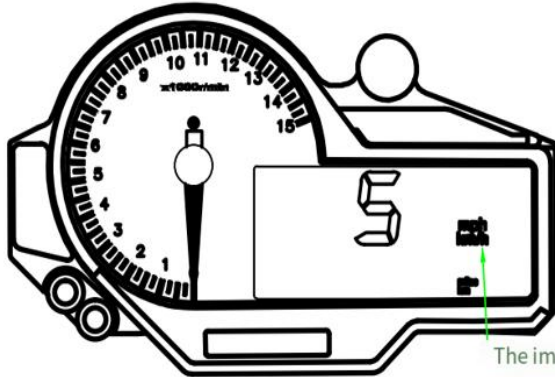
Set the number of rotating speed cylinders
The 2-cylinder indicates 166Hz to 10,000 RPM, and the 4-cylinder indicates 333Hz to 10,000 RPM. The default is 2 cylinders

Interface 4



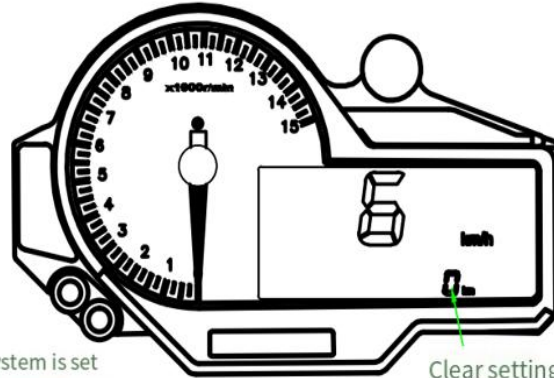
Fuel setting
3-wire (566-33Ω) / 2-wire (8-98Ω) The default cable is 2 wires

Interface 5



The imperial system is set
km stands for metric and mph stands for imperial default metric

Interface 6



Clear setting

Background Settings:

Hold down the upper energy, I turn the switch. After 5 seconds to enter the door Settings, divided into 6 screens

Interface 1: My fetal circumference best Settings

Speed shows 188 second figure 8 shows 1. The total result shows C-1850, and 1850 indicates a recognized tire circumference of 1850mm. If the 1000 bit blinks, press the upper key to change the value. 5s If no operation is performed, blink in the hundreds bit and rotate to the ones bit. (Then ticket to thousands flash). Expansion length from 500-2600mm can be said, long press on 3 fields to save into the city steel move setting interface.

Interface 2: Lock affirmations in steel

The speed is shown as 188, the first 8 character shows 2, and the total result base shows C-- 02, indicating that the permit is suspected. 1-12 can be said, short pull can be low quality. Long up key 35 Save the Settings and enter the conversion screen.

Interface 3: Go to the red number setting interface

The 188 first 8 character of the car construction display shows 3, and the total display C----232 indicates that the engine is 2 gold. (2 packs means 166Hz to 10,000 RPM, and 4 self-represents 333H2 to 10,000 packs.)

Short pull on can switch 2 every /4 years. Long press on can 3 I retain access to the face line three wire oil maximum setting interface.

Fruit surface 4: surface line three-wire energy oil setting (the general items of the upper computer inside line, three-wire to be valuable)

The first 8-character of the 188 speed display is 4, the total indicator is ----3, and the short line is equipped with the solid 3-wire (566-33Ω) /2 (8-982). Long mount the key 35 to keep in the enter forbidden please zero interface.

Fruit surface 5: Imperial setting (the general setting of the North point PC should be included)

The speed is shown as 188, the first 8 character shows 5, and the speed is shown as km/h in the lower right corner. Short-load set km/h and mph cutting table. Long load on smile 35 wait to enter mileage clear fruit surface. Default value km/h.

Interface 6: Please add up to zero

The first 8 character of the 188 speed display shows 5, short press the upper energy zero. Clear 200km at a time. It can be cleared three times (make - the back door is cleared once) and long pressed on it can be 3 seconds or discharged into the back door.